



Document Version: 2
Date: 2004/06/11

Customer : Dell / Wistron

Product Functional Specification

12.1 inch Wide XGA Color TFT LCD Module
Model Name: B121EW01 V2

Final Specification

Note: This Specification is subject to change without notice.

Contents

1.0 Handling Precautions	4
2.0 General Description.....	5
2.1 Display Characteristics	5
2.2 Functional Block Diagram.....	6
3.0 Absolute Maximum Ratings	7
4.0 Optical Characteristics.....	8
5.0 Signal Interface.....	9
5.1 Connectors.....	9
5.2 Signal Pin.....	9
5.3 Signal Description.....	10
5.4 Signal Electrical Characteristics	10
5.5 Signal for Lamp connector	11
6.0 Pixel Format Image	12
7.0 Parameter guide line for CCFL Inverter	12
8.0 Timing Control.....	14
8.1 Timing Characteristics.....	14
8.2 Timing Definition.....	14
9.0 Power Consumption	15
10. Power ON/OFF Sequence	16
11.0 Reliability /Safety Requirement	17
12.0 Outline drawing.....	18
13.0 EDID Record	20

II Record of Revision

Version and Date	Page	Old description	New Description	Remark
V1. 2004/04/16	All	First Release	NA	
V2. 2004/06/07	20	EDID (pix clock = 75MHz)		

1.0 Handling Precautions

- 1) Do not press or scratch the surface harder than a HB pencil lead because the polarizers are very fragile and could be easily damaged.
- 2) Be sure to turn off power supply when inserting or disconnecting from input connector.
- 3) Wipe off water droplets or oil immediately. Long contact with the droplets may cause discoloration or spots.
- 4) When the panel surface is soiled, wipe it with absorbent cotton or other soft cloth.
- 5) Since the panel is made of glass, it may break or crack if dropped or bumped on hard surface.
- 6) Protect the module from static electricity and insure proper grounding when handling. Static electricity may cause damage to the CMOS Gate Array IC.
- 7) Do not disassemble the module.
- 8) Do not press the reflector sheet at the back of the module.
- 9) Avoid damaging the TFT module. Do not press the center of the CCFL Reflector when it was taken out from the packing container. Instead, press at the edge of the CCFL Reflector softly.
- 10) Do not rotate or tilt the signal interface connector of the TFT module when you insert or remove other connector into the signal interface connector.
- 11) Do not twist or bend the TFT module when installation of the TFT module into an enclosure (Notebook PC Bezel, for example). It should be taken into consideration that no bending/twisting forces are applied to the TFT module from outside when designing the enclosure. Otherwise the TFT module may be damaged.
- 12) Cold cathode fluorescent lamp in LCD contains a small amount of mercury. Please follow local regulations for disposal.
- 13) The LCD module contains a small amount of material that has no flammability grade, so it should be supplied by power complied with requirements of limited power source (2.11, IEC60950 or UL1950).
- 14) The CCFL in the LCD module is supplied with Limited Current Circuit (2.4, IEC60950 or UL1950). Do not connect the CCFL in Hazardous Voltage Circuit.

2.0 General Description

This specification applies to the 12.1 inch wide Color TFT/LCD Module B121EW01 V2

This module is designed for a display unit of notebook style personal computer.

The screen format is intended to support the XGA (1280(H) x 800(V)) screen and 262k colors (RGB 6-bits data driver).

All input signals are LVDS interface compatible.

This module does not contain an inverter card for backlight.

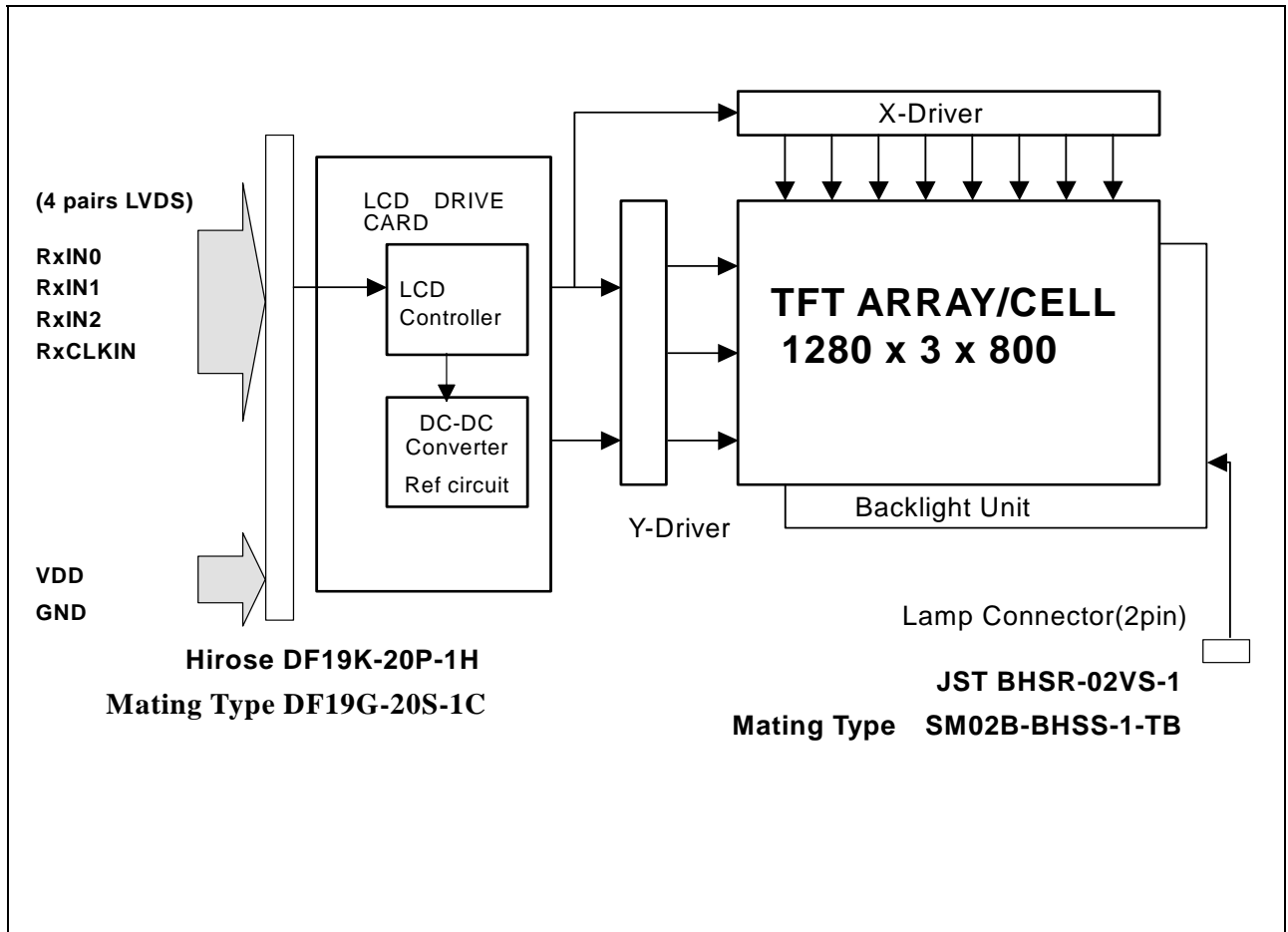
2.1 Display Characteristics

The following items are characteristics summary on the table under 25 condition:

ITEMS	Unit	SPECIFICATIONS
Screen Diagonal	[mm]	307.9(12.1" wide)
Active Area	[mm]	261.12(H) x163.2(V)
Pixels H x V		1280(x3) x 800
Pixel Pitch	[mm]	0.204(per one triad) x 0.204
Pixel Arrangement		R.G.B. Vertical Stripe
Display Mode		Normally White
Typical White Luminance(CCFL=6.0mA)	[cd/m ²]	200 Typ.(5 point avg)
Contrast Ratio		300 : 1 Min
ResponseTime	[msec]	25 Typ.
Nominal Input Voltage VDD	[Volt]	+3.3 Typ.
Typical Power Consumption (VDD line + VCFL line)	[Watt]	5.0 Watt (w/o Inverter, All black pattern)@LCM circuit 1.5 Watt(typ.),B/L input 3.5 Watt(typ.)
Weight	[Grams]	305g typ. (w/o Inverter)
Physical Size	[mm]	275.82(W) x 178(H) x 5.5(D) Max.
Electrical Interface		R/G/B Data, 2 Sync, Signals, Clock (4 pairs LVDS) , DSPTMG
Support Color		Native 262K colors (RGB 6-bit data driver)
Temperature Range		
Operating	[°C]	0 to +50
Storage (Shipping)	[°C]	-40 to +60

2.2 Functional Block Diagram

The following diagram shows the functional block of the 12.1 inches Color TFT/LCD Module:



3.0 Absolute Maximum Ratings

Absolute maximum ratings of the module is as following:

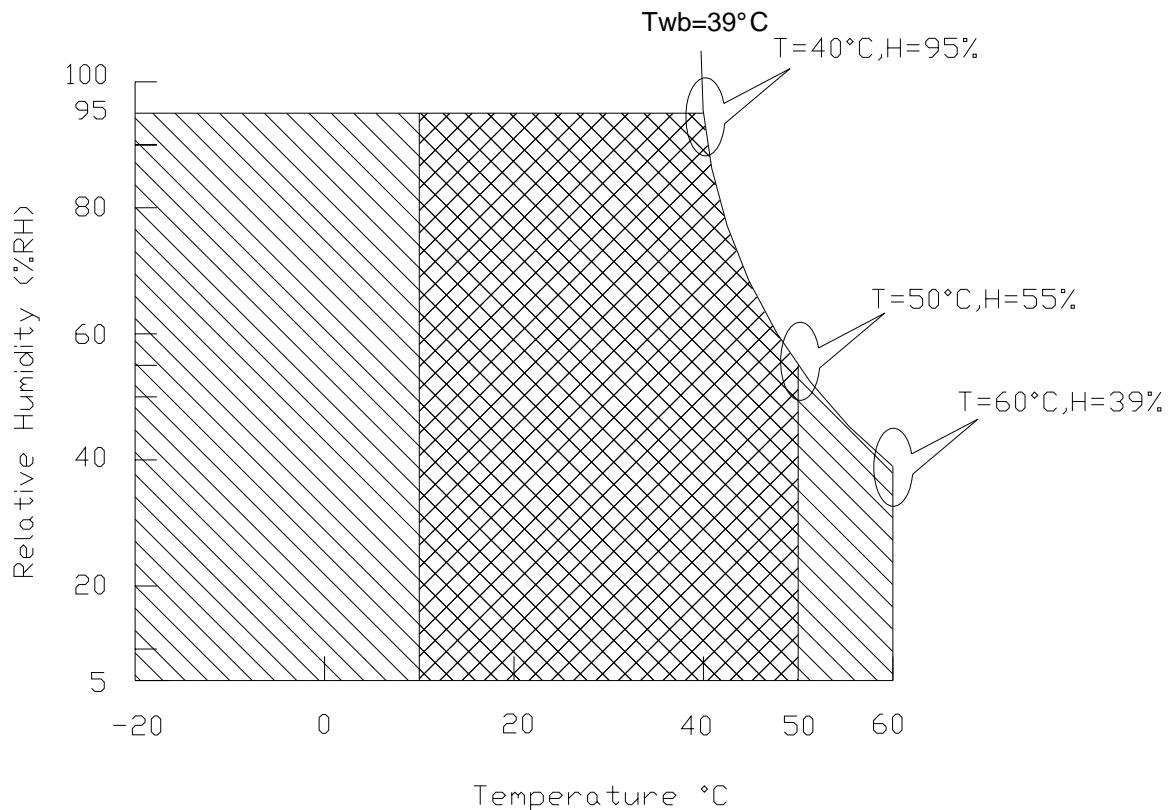
Item	Symbol	Min	Max	Unit	Conditions
Logic/LCD Drive Voltage	VDD	-0.3	+4.0	[Volt]	
Input Voltage of Signal	Vin	-0.3	VDD+0.3	[Volt]	
CCFL Current	ICFL	-	7	[mA] rms	
CCFL Ignition Voltage	Vs	-	1160(25°C)	Vrms	Note 1
Operating Temperature	TOP	0	+50	[°C]	Note 2
Operating Humidity	HOP	5	95	[%RH]	Note 2
Storage Temperature	TST	-40	+65	[°C]	Note 3
Storage Humidity	HST	5	95	[%RH]	Note 2
Vibration			1.5 10-500	[G Hz]	
Shock			200 , 3	[G ms]	Half sine wave

Note 1 : Duration = 50msec

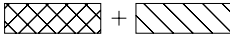
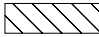
Note 2 : Maximum Wet-Bulb should be 39 and No condensation.

Note 3 : Dell spec.

Wet bulb temperature chart



Operating Range 

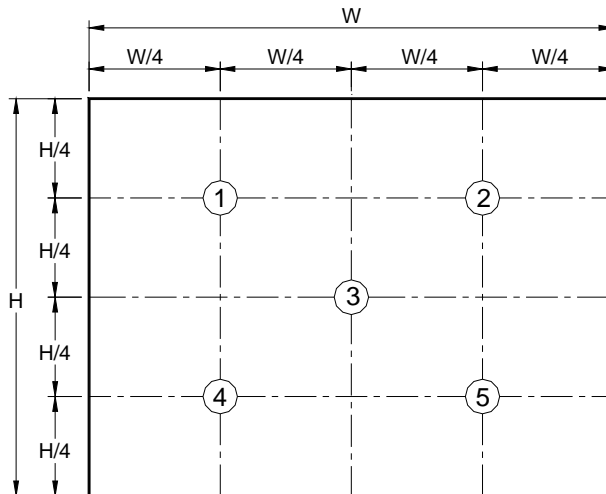
Storage Range  + 

4.0 Optical Characteristics

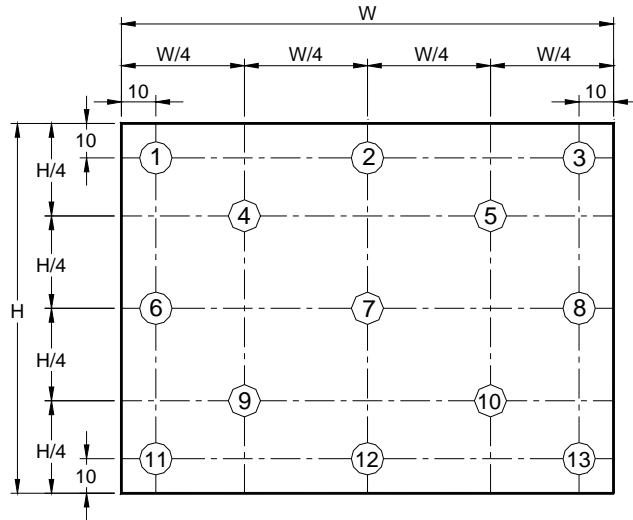
The optical characteristics are measured under stable conditions as follows under 25 condition:

Item	Unit	Conditions	Min.	Typ.	Max.
Viewing Angle	[degree]	Horizontal (Right)	40	-	-
	[degree]	CR = 10 (Left)	40	-	-
CR: Contrast Ratio	[degree]	Vertical (Upper)	20	-	-
	[degree]	CR = 10 (Lower)	40	-	-
Uniformity		5 Points			1.25
Uniformity		13 Points			1.6
Contrast ratio			300		-
Response Time	[msec]	Rising	-	10	15
	[msec]	Falling	-	15	20
Color / Chromaticity Coordinates (CIE)		Red x	0.547	0.577	0.607
		Red y	0.308	0.338	0.368
		Green x	0.28	0.31	0.34
		Green y	0.514	0.544	0.574
		Blue x	0.152	0.158	0.188
		Blue y	0.094	0.124	0.154
		White x	0.283	0.313	0.343
		White y	0.299	0.329	0.359
White Luminance CCFL 6.0mA	[cd/m ²]	5 points average	180	200	-

Note 1: 5 points position (Display area : 261.12mm x 163.2)



Note 2: 13 points position



5.0 Signal Interface

5.1 Connectors

Physical interface is described as for the connector on module.

These connectors are capable of accommodating the following signals and will be following components.

Connector Name / Designation	For Signal Connector
Manufacturer	Hirose
Type / Part Number	DF19K-20P-1H
Mating Housing/Part Number	DF19G-20S-1C
Mating Contact/Part Number	DF19-2830 SCFA

Connector Name / Designation	For Lamp Connector
Manufacturer	JST
Type / Part Number	BHSR-02VS-1
Mating Type / Part Number	SM02B-BHSS-1-TB

5.2 Signal Pin

Pin#	Signal Name	Pin#	Signal Name
1	VDD	2	VDD
3	GND	4	GND
5	RxIN0-	6	RxIN0+
7	GND	8	RxIN1-
9	RxIN1+	10	GND
11	RxIN2-	12	RxIN2+
13	GND	14	RxCLKIN-
15	RxCLKIN+	16	GND
17	V _{EDID}	18	NC
19	CLK _{EDID}	20	DATA _{EDID}

5.3 Signal Description

The module uses a LVDS receiver embedded in AUO's ASIC. LVDS is a differential signal technology for LCD interface and high-speed data transfer device.

Signal Name	Description
RxIN0-, RxIN0+	LVDS differential data input(Red0-Red5, Green0)
RxIN1-, RxIN1+	LVDS differential data input(Green1-Green5, Blue0-Blue1)
RxIN2-, RxIN2+	LVDS differential data input(Blue2-Blue5, Hsync, Vsync, DSPTMG)
RxCLKIN-, RxCLKIN0+	LVDS differential clock input
VDD	+3.3V Power Supply
GND	Ground

Note: Input signals shall be in low status when VDD is off.

Internal circuit of LVDS inputs are as following.

Signal Name	Description	
+RED5 +RED4 +RED3 +RED2 +RED1 +RED0	Red Data 5 (MSB) Red Data 4 Red Data 3 Red Data 2 Red Data 1 Red Data 0 (LSB) Red-pixel Data	Red-pixel Data Each red pixel's brightness data consists of these 6 bits pixel data.
+GREEN 5 +GREEN 4 +GREEN 3 +GREEN 2 +GREEN 1 +GREEN 0	Green Data 5 (MSB) Green Data 4 Green Data 3 Green Data 2 Green Data 1 Green Data 0 (LSB) Green-pixel Data	Green-pixel Data Each green pixel's brightness data consists of these 6 bits pixel data.
+BLUE 5 +BLUE 4 +BLUE 3 +BLUE 2 +BLUE 1 +BLUE 0	Blue Data 5 (MSB) Blue Data 4 Blue Data 3 Blue Data 2 Blue Data 1 Blue Data 0 (LSB) Blue-pixel Data	Blue-pixel Data Each blue pixel's brightness data consists of these 6 bits pixel data.
-DTCLK	Data Clock	The typical frequency is 65.0 MHz. The signal is used to strobe the pixel data and DSPTMG signals. All pixel data shall be valid at the falling edge when the DSPTMG signal is high.
DSPTMG	Display Timing	This signal is strobed at the falling edge of -DTCLK. When the signal is high, the pixel data shall be valid to be displayed.
VSYNC	Vertical Sync	The signal is synchronized to -DTCLK .
HSYNC	Horizontal Sync	The signal is synchronized to -DTCLK .

Note: Output signals from any system shall be low or Hi-Z state when VDD is off.

5.4 Signal Electrical Characteristics

Input signals shall be in low status when VDD is off.

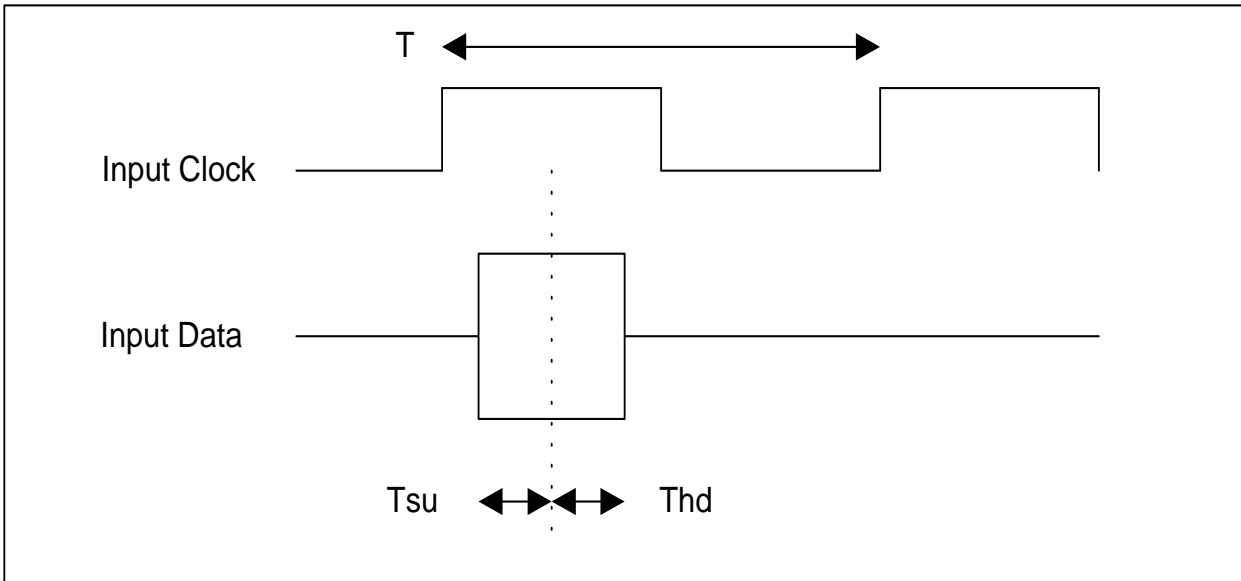
It is recommended to refer the specifications of SN75LVDS86DGG (Texas Instruments) in detail.

Signal electrical characteristics are as follows;

Parameter	Condition	Min	Max	Unit
Vth	Differential Input High Voltage(Vcm=+1.2V)		100	[mV]
Vtl	Differential Input Low Voltage(Vcm=+1.2V)	-100		[mV]

LVDS Macro AC characteristics are as follows:

	Min.	Max.
Clock Frequency (F)	20MHz	85MHz
Data Setup Time (Tsu)	600ps	
Data Hold Time (Thd)	600ps	

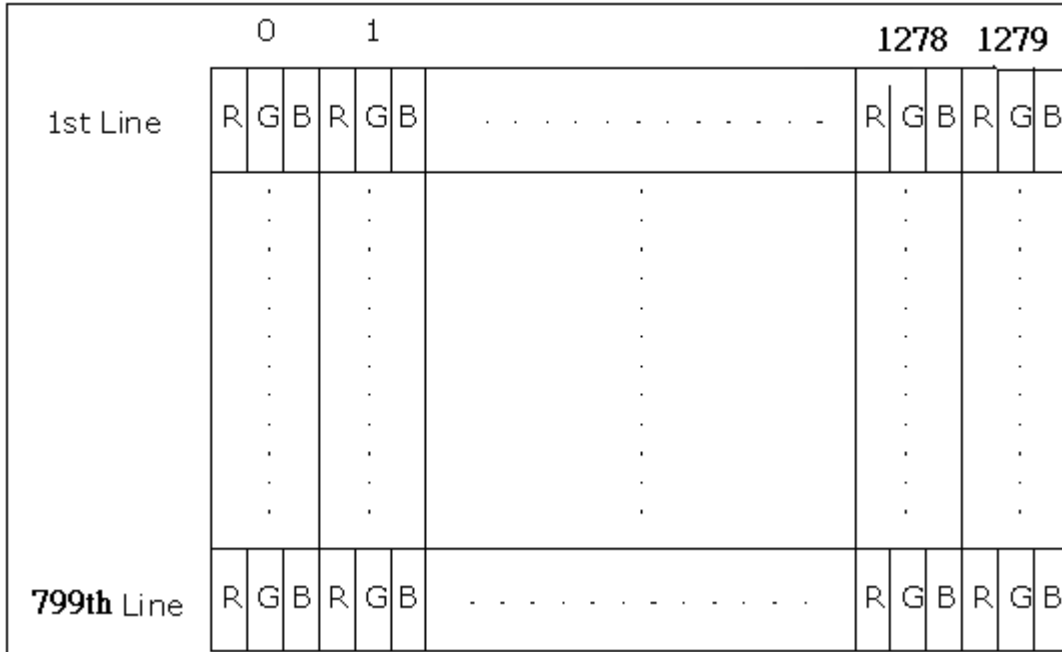


5.5 Signal for Lamp connector

Pin #	Signal Name
1	Lamp High Voltage
2	Lamp Low Voltage

6.0 Pixel Format Image

Following figure shows the relationship of the input signals and LCD pixel format.



7.0 Parameter guide line for CCFL Inverter

Parameter	Min	DP-1	Max	Units	Condition
White Luminance 5 points average	180	200	—	[cd/m ²]	(Ta=25)
CCFL current(ICFL)		6.0	7.0	[mA] rms	(Ta=25) Note 2
CCFL Frequency(FCFL)	50		70	[KHz]	(Ta=25) Note 3
CCFL Ignition Voltage(Vs)	1400	—	—	[Volt] rms	(Ta= 0) Note 4
CCFL Voltage (Reference) (VCFL)	—	580	—	[Volt] rms	(Ta=25) Note 5
CCFL Power consumption (PCFL)	—	3.5	—	[Watt]	(Ta=25) Note 5

Note 1: DP-1 are AUO recommended Design Points.

*1 All of characteristics listed are measured under the condition using the AUO Test inverter.

*2 In case of using an inverter other than listed, it is recommended to check the inverter carefully. Sometimes, interfering noise stripes appear on the screen, and substandard luminance or flicker at low power may happen.

*3 In designing an inverter, it is suggested to check safety circuit ver carefully. Impedance of CCFL, for instance, becomes more than 1 [M ohm] when CCFL is damaged.

*4 Generally, CCFL has some amount of delay time after applying start-up voltage. It is recommended to keep on applying start-up voltage for 1 [Sec] until discharge.

*5 The CCFL inverter operating frequency must be carefully chosen so that no interfering noise stripes on the screen were induced.

*6 Reducing CCFL current increases CCFL discharge voltage and generally increases CCFL discharge frequency. So all the parameters of an inverter should be carefully designed so as not to produce too much leakage current from high-voltage output of the inverter.

Note 2: It should be employed the inverter, which has “Duty Dimming”, if ICCFL is less than 4mA.

Note 3: The CCFL inverter operating frequency should be carefully determined to avoid interference between inverter and TFT LCD.

Note 4: The inverter open voltage should be designed larger than the lamp starting voltage at $T=0^{\circ}\text{C}$, otherwise backlight may be blinking for a moment after turning on or not be able to turn on. The open voltage should be measured after ballast capacitor. If an inverter has shutdown function it should keep its open voltage. for longer than 1 second even if lamp connector is open.

Note 5: Calculator value for reference ($\text{ICFL} \times \text{VCFL} = \text{PCFL}$)

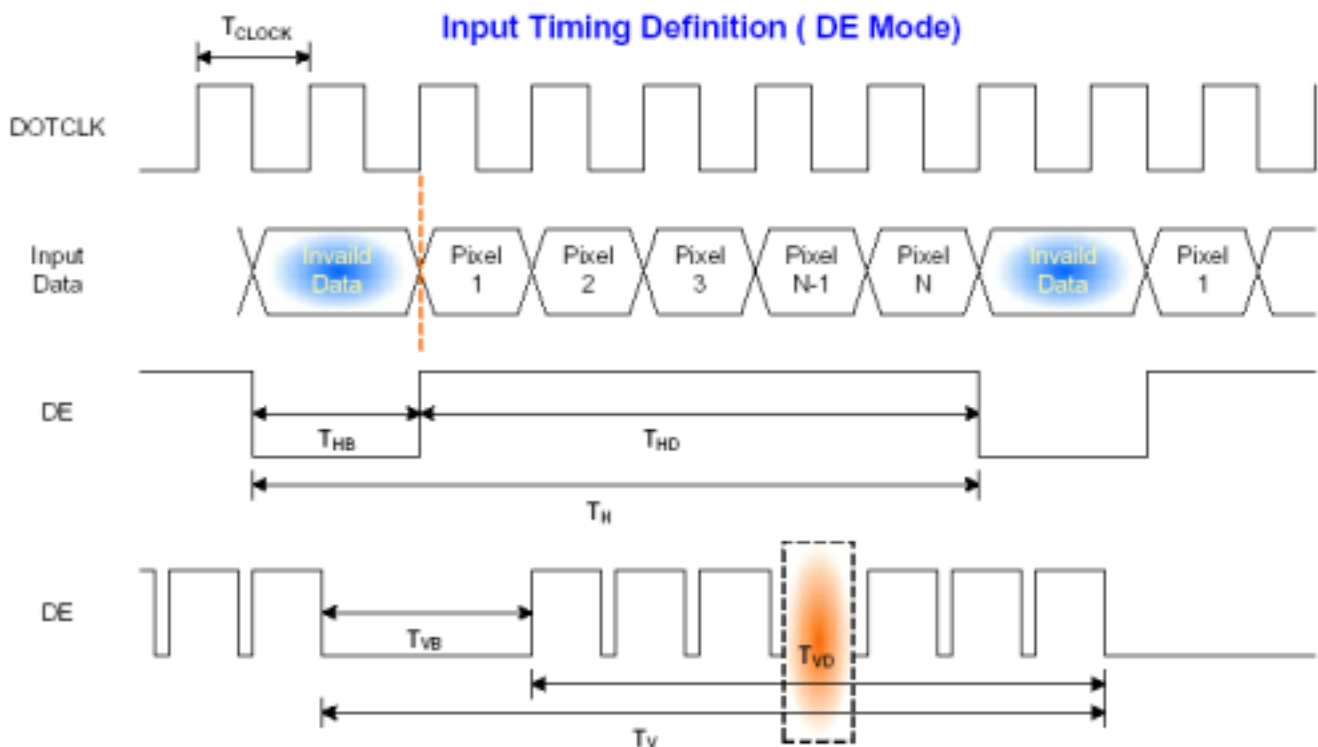
8 Timing Control

8.1 Timing Characteristics

This is the signal timing required at the input of the user connector . All of the interface signal timing should be satisfied with the following specifications .

Parameter	Symbol	Min.	Typ.	Max.	Unit	Condition	
Clock frequency	$1/ T_{\text{Clock}}$	50	68.9	85	MHz		
Vertical Section	Period	T_V	803	816	832	T_{Line}	
	Active	T_{VD}	800	800	800		
	Blanking	T_{VB}	3	16	32		
Horizontal Section	Period	T_H	1302	1408	1700	T_{Clock}	
	Active	T_{HD}	1280	1280	1280		
	Blanking	T_{HB}	22	128	420		
End-frame checking period	t_{EF}	2			T_{Line}		
DE checking period	t_{DE}	6400			T_{Line}	8 Frames	

8.2 Timing Definition



9.0 Power Consumption

Input power specifications are as follows;

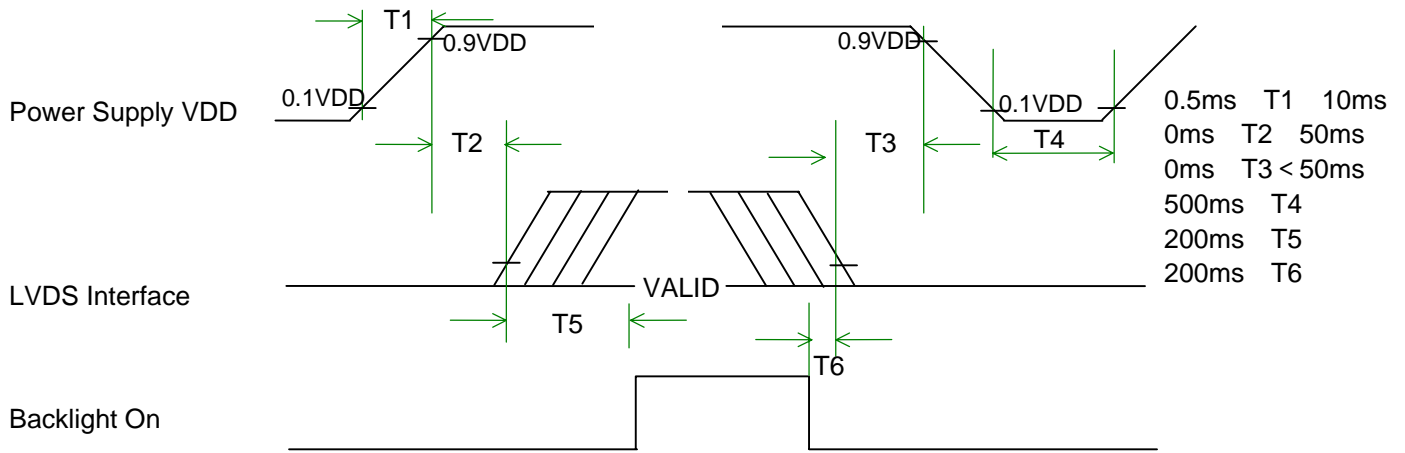
Symbol	Parameter	Min	Typ	Max	Units	Condition
Module						
VDD	Logic/LCD Drive Voltage	3.0	3.3	3.6	[Volt]	Load Capacitance 20uF
PDD	VDD Power		1.6		[Watt]	All Black Pattern
PDD Max	VDD Power max			1.7	[Watt]	Max Pattern Note
IDD	IDD Current		400		mA	64 Grayscale Pattern
IDD Max	IDD Current max			420	mA	Vertical stripe line Pattern Note
VDDrp	Allowable Logic/LCD Drive Ripple Voltage			500	[mV] p-p	
VDDns	Allowable Logic/LCD Drive Ripple Noise			100	[mV] p-p	
Lamp						
ICFL	CCFL current	3.0	6.0	7.0	[mA] rms	(Ta=25)
VCFL	CCFL Voltage (Reference)	—	580	—	[Volt] rms	(Ta=25)
PCFL	CCFL Power consumption	—	3.5	—	[Watt]	(Ta=25)
Total Power Consumption	5.0 Watt (w/o Inverter, All black pattern)@LCM circuit 1.5 Watt(typ.),B/L input 3.5 Watt(typ.)					

Note : VDD=3.3V

10. Power ON/OFF Sequence

VDD power and lamp on/off sequence is as follows. Interface signals are also shown in the chart. Signals from any system shall be Hi-Z state or low level when VDD is off.

Sequence of Power-on/off and signal-on/off



Apply the lamp voltage within the LCD operating range. When the backlight turns on before the LCD operation or the LCD turns off before the backlight turns off, the display may momentarily become abnormal.

11.0 Reliability /Safety Requirement

Reliability Test Conditions

Items	Required Conditions
Operating Life – High Temp.	Temp.= +50°C, Dynamic. 250 Hours, Humidity 20%
Operating Life – Low Temp.	Temp.= 0°C, Dynamic, 250 Hours, Humidity 20%
High Temp. Storage Life – Non-Operating	Temp.= +65°C, Non-Operating, 250 Hours, Humidity 20%
Low Temp. Storage Life – Non-Operating	Temp.= -25°C, Non-Operating, 250 Hours
High Temp & High Humidity Operating Life	Temp.= +40°C, Dynamic, Humidity 95%(Non-Condensing), 250 Hours
Shock – Non-Operating	220g's, 2.0 ms, Half Sine Wave ± 3 Axis (+X, -X, +Y, -Y, +Z, -Z) 3 Shocks per direction
Vibration – Non-Operating	1.5 Grms, 30 min/side, PSD Spectrum Break Points, 26 Hz $G^2/Hz=0.316$, 50 Hz $G^2/Hz=0.007$, 222 Hz $G^2/Hz=0.0018$, 500Hz $G^2/Hz=0.0001$
Temp. Cycle – Operating	0°C to+40°C, Ramp $\leq 20^\circ\text{C}/\text{min}$, Duration at Temp. = 30min, Test Cycles = 160
Temp. Cycle – Non-Operating	-25°C to +65°C, Ramp $\leq 20^\circ\text{C}/\text{min}$, Duration at Temp. = 30min, Test Cycles = 50

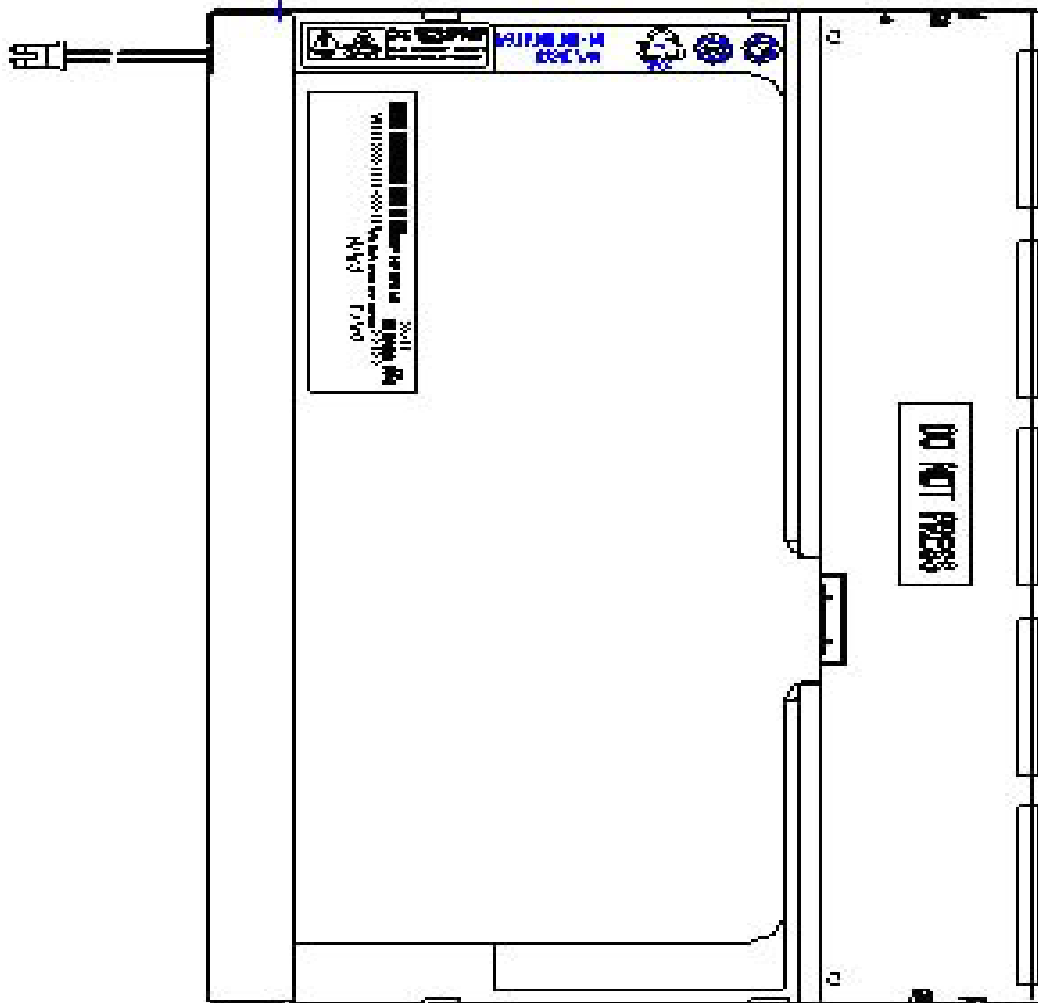
CCFL Life : 10,000 hours minimum

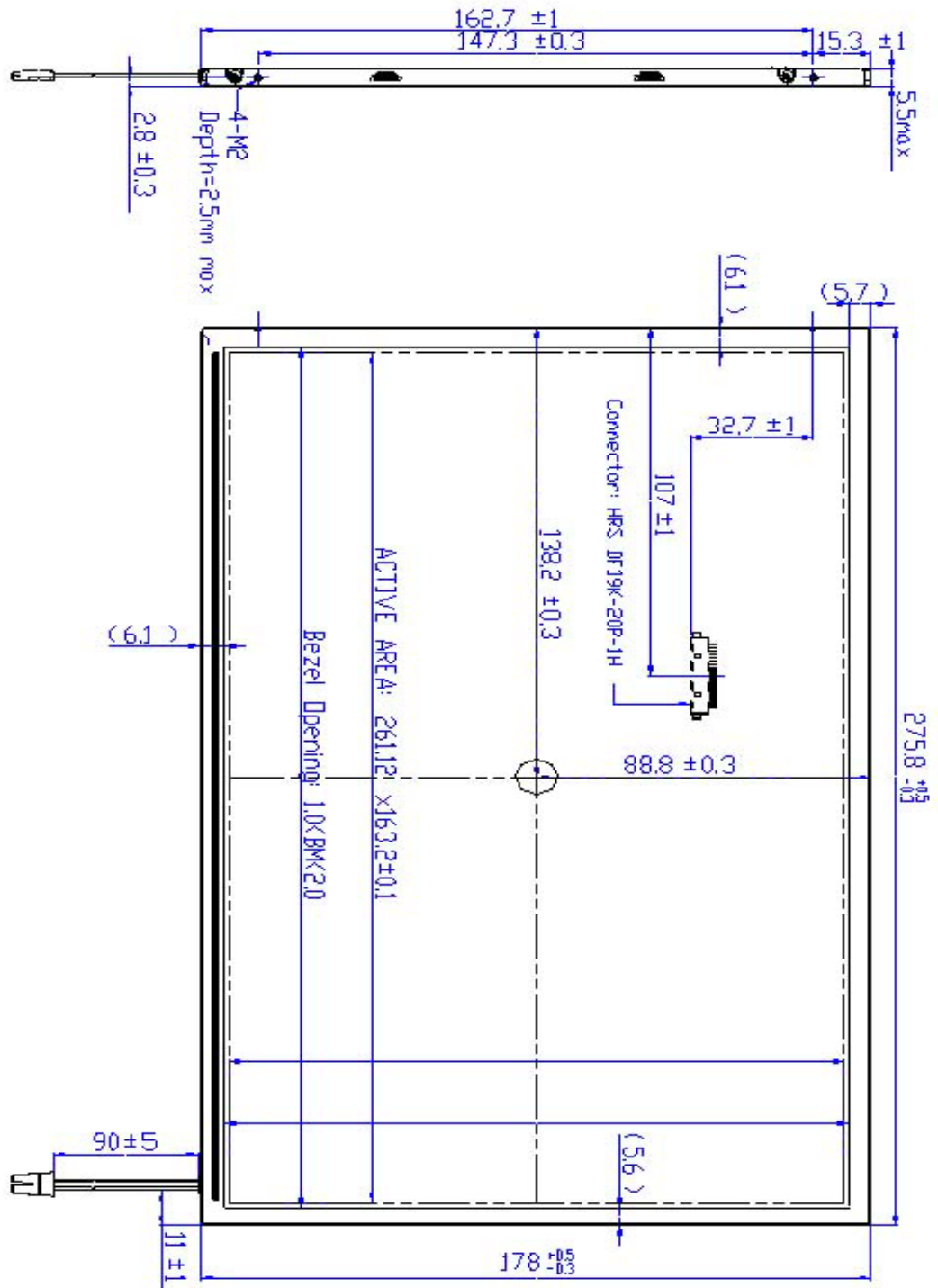
MTBF(Excluding the CCFL) : 50,000 hours with a confidence level 90%

11.2 Safety

UL60950

12 . Outline drawing





13 . EDID record

B121EW01 V2 EDID Table

Address HEX	FUNCTION	Value HEX	Value BIN	Value DEC	Notes
00	Header	00	00000000	0	
01		FF	11111111	255	
02		FF	11111111	255	
03		FF	11111111	255	
04		FF	11111111	255	
05		FF	11111111	255	
06		FF	11111111	255	
07		00	00000000	0	
08	EISA Manuf. Code LSB	06	00000110	6	ASCII Data String:B121EW01
09	Compressed ASCII	AF	10101111	175	AUO
0A	Product Code	01	00000001	1	01(12B01)
0B	hex, LSB first	0C	00001100	12	12(12B01)
0C	32-bit ser #	00	00000000	0	unused
0D		00	00000000	0	
0E		00	00000000	0	
0F		00	00000000	0	
10	Week of manufacture	01	00000001	1	Week 01
11	Year of manufacture	0E	00001110	14	14(2004-1990=14)
12	EDID Structure Ver.	01	00000001	1	
13	EDID revision #	01	00000001	1	
14	Video input definition	80	10000000	128	Digital Input
15	Max H image size	1A	00011010	26	26.112cm
16	Max V image size	10	00010000	16	16.32cm
17	Display Gamma	78	01111000	120	Gamma 2.2
18	Feature support	0A	00001010	10	no DPMS,Active off,RGB color
19	Red/green low bits	A5	10100101	165	
1A	Blue/white low bits	50	01010000	80	
1B	Red x/ high bits	93	10010011	147	Rx=0.577
1C	Red y	56	01010110	86	Ry=0.338
1D	Green x	4F	01001111	79	Gx=0.310
1E	Green y	8B	10001011	139	Gy=0.544
1F	Blue x	28	00101000	40	Bx=0.158

(C) Copyright AU Optronics

Dec., 2003 All Rights Reserved.

B121EW01 V2

No Reproduction and Redistribution Allowed.

20/23

20	Blue y	21	00100001	33	By=0.130
21	White x	50	01010000	80	Wx=0.313
22	White y	54	01010100	84	Wy=0.329
23	Established timing 1	00	00000000	0	unused
24	Established timing 2	00	00000000	0	
25	Manufacturer's Timing	00	00000000	0	
26	Standard timing #1	01	00000001	1	unused
27		01	00000001	1	
28	Standard timing #2	01	00000001	1	
29		01	00000001	1	
2A	Standard timing #3	01	00000001	1	
2B		01	00000001	1	
2C	Standard timing #4	01	00000001	1	
2D		01	00000001	1	
2E	Standard timing #5	01	00000001	1	
2F		01	00000001	1	
30	Standard timing #6	01	00000001	1	
31		01	00000001	1	
32	Standard timing #7	01	00000001	1	
33		01	00000001	1	
34	Standard timing #8	01	00000001	1	
35		01	00000001	1	
36	Pixel Clock/10,000 (LSB)	4C	01001100	76	Timing Descriptor #1
37	Pixel Clock/10,000 (MSB)	1D	00011101	29	1280x800 @65.27_mode:pixel clock=75.0MHz
38	Horiz. Active pixels(Lower 8 bits)	00	00000000	0	Horiz active=1280 pixels
39	Horiz.Blanking (Lower 8 bits)	80	10000000	128	Horiz blanking=128 pixels
3A	Horiz. Active pixels:Horiz. Blanking (Upper4:4 bits)	50	01010000	80	
3B		20	00100000	32	Vertical active=800 lines
3C		10	00010000	16	Vertical blanking=16 lines
3D	Vert. Active pixels:Vert. Blanking (Upper4:4 bits)	30	00110000	48	
3E		15	00010101	21	Horiz sync. Offset=21 pixels
3F		20	00100000	32	Horiz sync. Pulse Width=32 pixels
40	Vert. Sync. Offset=xx lines, Sync Width=xx lines	44	01000100	68	Verti sync. Offset=4 lines, Sync Width=4 lines
41	Horz. Ver. Sync/Width (upper 2 bits)	00	00000000	0	
42	Hori. Image size (Lower 8 bits)	05	00000101	5	Hori image size = 261.12 mm
43	Vert. Image size (Lower 8 bits)	A3	10100011	163	Verti image size = 163.2mm
44	Hori. Image size : Vert. Image size (Upper 4 bits)	10	00010000	16	

45		00	00000000	0	Horizontal Border = 0
46		00	00000000	0	Vertical Border = 0
47		18	00011000	24	
48	Detailed timing/monitor	00	00000000	0	Apple definition, see the next sheet
49	descriptor #2	00	00000000	0	
4A		00	00000000	0	
4B		0F	00001111	15	
4C	Version	00	00000000	0	
4D	Value = $HSPW_{min} / 2$ (pixel clks)	00	00000000	0	DE Mode
4E	Value = $HSPW_{max} / 2$ (pixel clks)	00	00000000	0	DE Mode
4F	Value = $Thbp_{min} / 2$ (pixel clks)	00	00000000	0	DE Mode
50	Value = $Thbp_{max} / 2$ (pixel clks)	00	00000000	0	DE Mode
51	Value = $VSPW_{min} / 2$ (line pulses)	00	00000000	0	DE Mode
52	Value = $VSPW_{max} / 2$ (line pulses)	00	00000000	0	DE Mode
53	Value = $Tvbp_{min} / 2$ (line pulses)	00	00000000	0	DE Mode
54	Value = $Tvbp_{max} / 2$ (line pulses)	00	00000000	0	DE Mode
55	$Thp_{min} = value * 2 + HA_{pixel\ clks}$ (pixel clks)	0B	00001011	11	$1302 = Value * 2 + 1280$
56	$Thp_{max} = value * 2 + HA_{pixel\ clks}$ (pixel clks)	D2	11010010	210	$1700 = Value * 2 + 1280$
57	$Tvp_{min} = value * 2 + VA_{lines}$ (line pulses)	02	00000010	2	$803 = Value * 2 + 800$
58	$Tvp_{max} = value * 2 + VA_{lines}$ (line pulses)	10	00010000	16	$832 = Value * 2 + 800$
59		00	00000000	0	
5A	Detailed timing/monitor	00	00000000	0	
5B	descriptor #3	00	00000000	0	
5C		00	00000000	0	
5D		FE	11111110	254	
5E		00	00000000	0	
5F	Dell P/N 1st character	44	01000100	68	D
60	Dell P/N 2nd character	35	00110101	53	5
61	Dell P/N 3rd character	34	00110100	52	4
62	Dell P/N 4th character	30	00110000	48	0
63	Dell P/N 5th character	34	00110100	52	4
64	LCD Supplier EEDID Revision	00	00000000	0	
65	Manufacturer P/N	42	01000010	66	B
66	Manufacturer P/N	31	00110001	49	1
67	Manufacturer P/N	32	00110010	50	2
68	Manufacturer P/N	31	00110001	49	1

69	Manufacturer P/N	45	01000101	69	E W 1
6A	Manufacturer P/N	57	01010111	87	
6B	Manufacturer P/N	31	00110001	49	
6C	Flag	00	00000000	0	
6D	Flag	00	00000000	0	
6E	Flag	00	00000000	0	
6F	Data type tag:ASCII string	FE	11111110	254	
70	Flag	00	00000000	0	
71	SMBUS=15 nits	E8	11101000	232	
72	SMBUS=21 nits	E0	11100000	224	
73	SMBUS=30 nits	C8	11001000	200	
74	SMBUS=40 nits	B0	10110000	176	
75	SMBUS=60 nits	90	10010000	144	
76	SMBUS=90 nits	70	01110000	112	
77	SMBUS=140 nits	50	01010000	80	
78	SMBUS=max nits(Typically = 00h)	00	00000000	0	
79		01	00000001	1	
7A		0A	00001010	10	
7B		20	00100000	32	
7C		20	00100000	32	
7D		20	00100000	32	
7E	Extension Flag	00	00000000	0	
7F	Checksum	A9	10101001	169	

6457

6626